



Ministry of State

Science and Technology
Canada

Ministère d'État

Sciences et Technologie
Canada

security classification

cote de sécurité

AN INVENTORY

DATA BASES ACCESSED BY MOSST

internal
report
rapport
interne

Q
180
.C3C382

6
180
C30382

AN INVENTORY

DATA BASES ACCESSED BY MOSST

31835

Research and Analysis Section
RIS Division
Government Branch
MOSST
June, 1978

MINISTRY OF STATE
MINISTÈRE D'ÉTAT
BIBLIOTHÈQUE
MAR 30 1978
LIBRARY
SCIENCE AND TECHNOLOGY
SCIENCES ET TECHNOLOGIE

FOREWORD

There has, for some time, been a recognized need for reference documentation on those data bases that are accessed by the Ministry; be they developed within or outside the organization.

In response to this, a search has been carried out for those data bases that were judged to be the most pertinent to the work of the Ministry. This was followed by the cataloguing of the fundamental characteristics of each data base, as well as the schematization of the structure of the data contained.

This report is therefore a first attempt at providing a quick, yet comprehensive reference, both to the specialists and the executives within the Ministry. With this in mind, it is hoped that the document will help to dissipate uncertainties regarding the nature and the usefulness of the available data. If it accomplishes this, it is recommended that further characteristics of the data, such as 'measure of reliability' be included in future revisions of this document.

Thanks are due to all those who contributed to the compilation of this document.

DATA BANK NAME

Federal Expenditures On Activities In The
Natural Sciences - At Main Estimates

ORGANIZATION RESPONSIBLE FOR

MOSST - Government Branch (Program Review
& Analysis)

DIRECT ENQUIRIES TO

Dr. Howard Waldron

DATA BANK CHARACTERISTICS

(1) General Description

Expenditures on activities in the natural sciences;
R&D activities; RSA activities; current and capital
expenditures; administration of extramural programmes.

(2) Nature of Data

Inventory

Management Information

Statistics

(3) Data Source(s) and Form of Access

Sourced since 1975 from Federal Departments (through
Treasury Board) in conjunction with Main Estimates
submissions. Prior to 1975 sourced through
Statistics Canada Survey of Federal Departments.

(4) Frequency of Update

Yearly (Usually updating done in November or
December).

(5) Size of Series Maintained

Since 1963

(6) Mode of Storage

Manual

Original Forms Only

EDP

Other

(7) Access Capabilities

EDP - Report Generation

- Other - (Computer Graphics)

Other - Publications

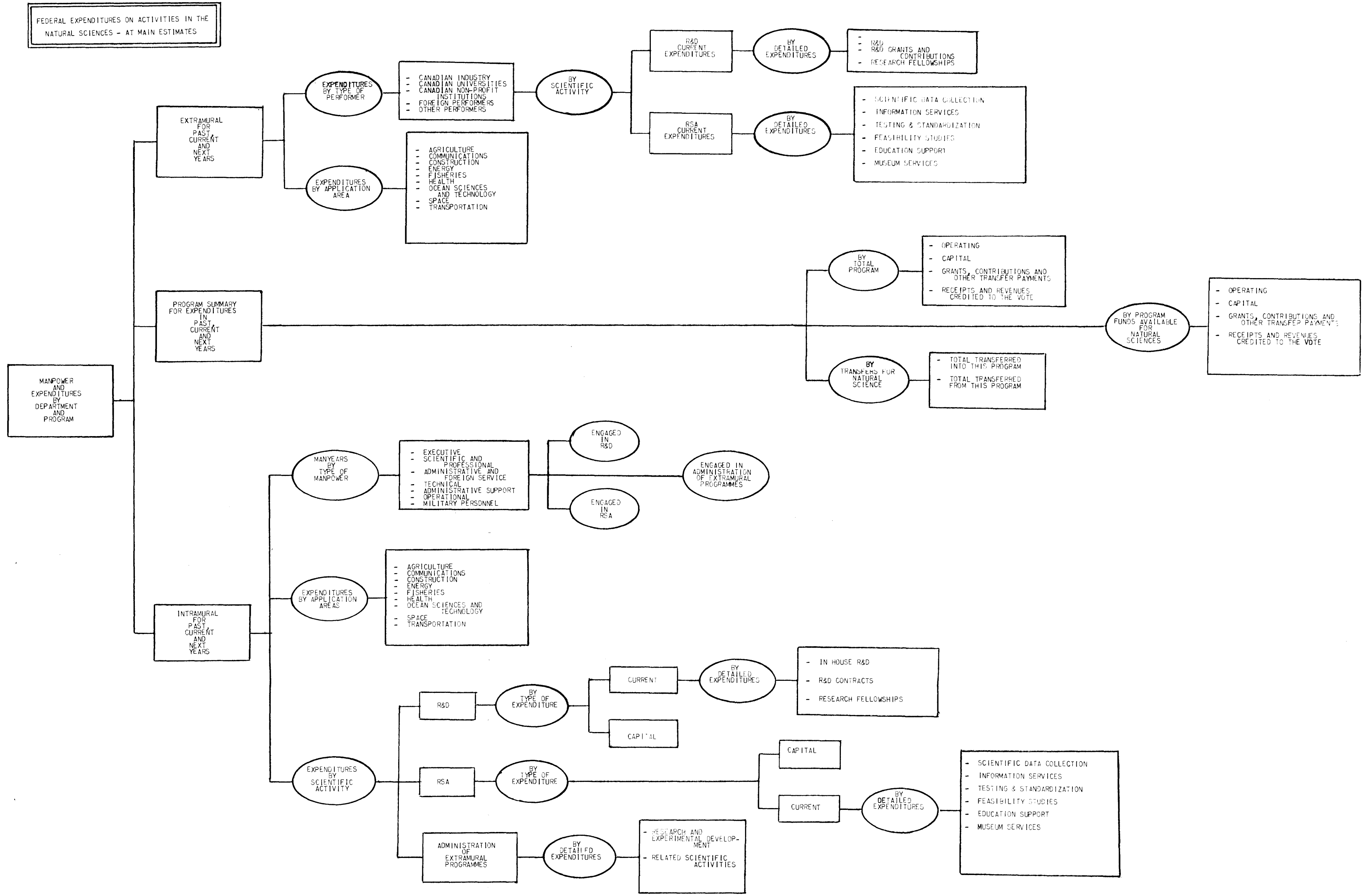
Annual Science Publication, Federal Science
Expenditures, also, various small reports.

- Other

TYPICAL USES OF DATA

To provide visibility on Research and Development and
the amount of funds budgeted for in Natural Sciences
for Past, Current and Next years.

FEDERAL EXPENDITURES ON ACTIVITIES IN THE NATURAL SCIENCES - AT MAIN ESTIMATES



DATA BANK NAME

Federal Expenditures On Activities In The
Human Sciences - At Main Estimates

ORGANIZATION RESPONSIBLE FOR

MOSST - Government Branch (Program Review & Analysis)

DIRECT ENQUIRIES TO

Dr. Howard Waldron

DATA BANK CHARACTERISTICS

(1) General Description

Expenditures on activities in the Human Sciences;
Current and capital expenditures, also,
administration of extramural programmes.

(2) Nature of Data

Inventory

Management Information

Statistics

(3) Data Source(s) and Form of Access

Sourced since 1975 from Federal Departments (through
Treasury Board) in conjunction with Main Estimates
submissions. Prior to 1975 sourced through Statistics
Canada survey of Federal Departments.

(4) Frequency of Update

Yearly (Usually updating is done in November or
December.)

(5) Size of Series Maintained

Since 1963

(6) Mode of Storage

Manual

Original Forms Only

EDP

Other

(7) Access Capabilities

EDP - Report Generation

- Other - (Computer Graphics)

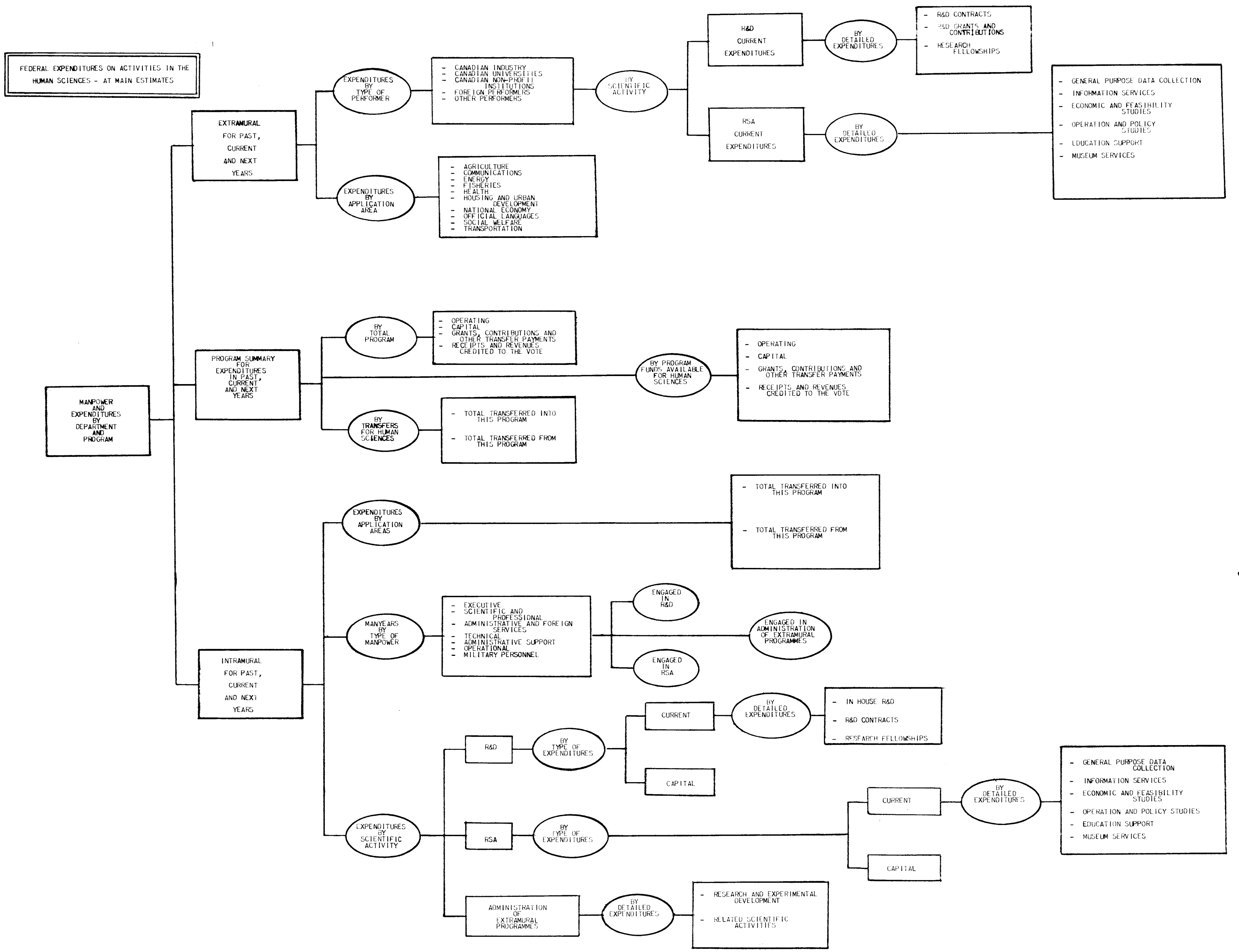
Other - Publications

Annual Science Expenditures, also,
various small reports.

- Other

TYPICAL USES OF DATA

To provide visibility on Research and Development and the
amount of funds budgeted for in Human Sciences for the
current and next years. To provide a statistical series
for policy analysis and development purposes.



DATA BANK NAME

Federal Expenditures On Activities In The Natural Sciences - At Program Forecast

ORGANIZATION RESPONSIBLE FOR

MOSST - Government Branch (Program Review & Analysis)

DIRECT ENQUIRIES TO

Dr. Howard Waldron

DATA BANK CHARACTERISTICS

(1) General Description Expenditures on activities in the natural sciences; R&D activities; RSA activities; current and capital expenditures; administration of extramural programmes.

(2) Nature of Source Data

Inventory

Management Information

Statistics

(3) Data Source(s) and Form of Access

Sourced since 1975 from Federal Departments (through Treasury Board) in conjunction with Program Forecast submissions. Prior to 1975 sourced through Statistics Canada Survey of Federal Departments.

(4) Frequency of Update

Yearly (Input of Data - Approximately April
Modified - Approximately June or July)

(5) Size of Series Maintained

Since 1976/77

(6) Mode of Storage

Manual

Original Forms Only

EDP

Other

(7) Access Capabilities

EDP - Report Generation

- Other - (Computer Graphics)

Other - Publications

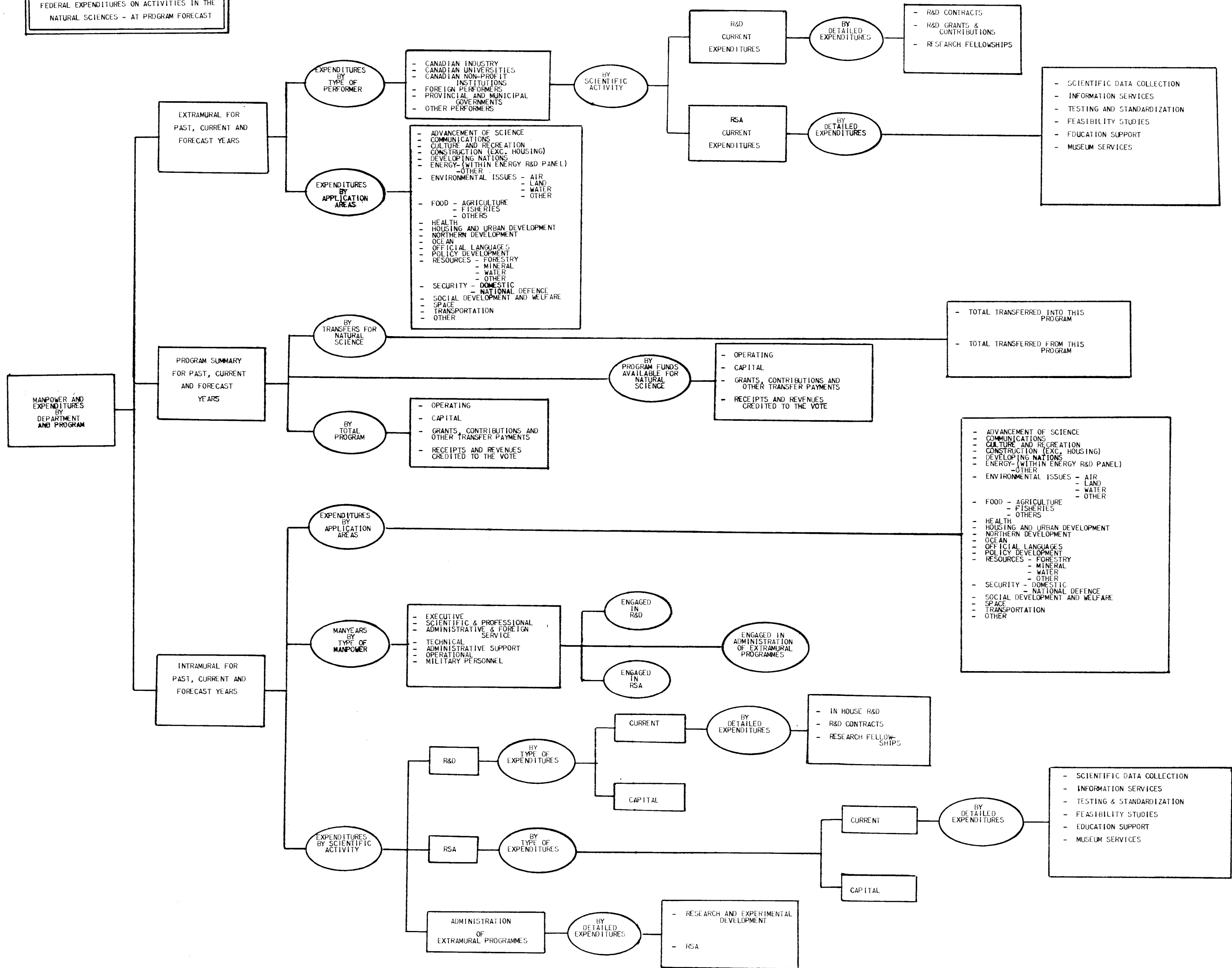
- Other

N.B. Access restricted due to confidential nature of data. Clearance from P.R.A. Division required.

TYPICAL USES OF DATA

To provide visibility on R&D and the amount of funds budgeted for in Natural Sciences for the past, current and forecast years.

FEDERAL EXPENDITURES ON ACTIVITIES IN THE NATURAL SCIENCES - AT PROGRAM FORECAST



DATA BANK NAME

Federal Expenditures On Activities In The Human Sciences - At Program Forecast

ORGANIZATION RESPONSIBLE FOR

MOSST - Government Branch (Program Review & Analysis)

DIRECT ENQUIRIES TO

Dr. Howard Waldron

DATA BANK CHARACTERISTICS

(1) General Description

Expenditures on activities in the human sciences; R&D activities; RSA activities; current and capital expenditures; administration of extramural programmes.

(2) Nature of Source Data

Inventory

Management Information

Statistics

(3) Data Source(s) and Form of Access

Sourced since 1975 from Federal Departments (through Treasury Board) in conjunction with Program Forecast submissions. Prior to 1975 sourced through Statistics Canada survey of Federal Departments.

(4) Frequency of Update

Yearly (Input of Data - Approximately April Modified - Approximately June or July)

(5) Size of Series Maintained

Since 1976/77

(6) Mode of Storage

Manual

Original Forms Only

EDP

Other

(7) Access Capabilities

EDP - Report Generation

- Other - (Computer Graphics)

Other - Publications

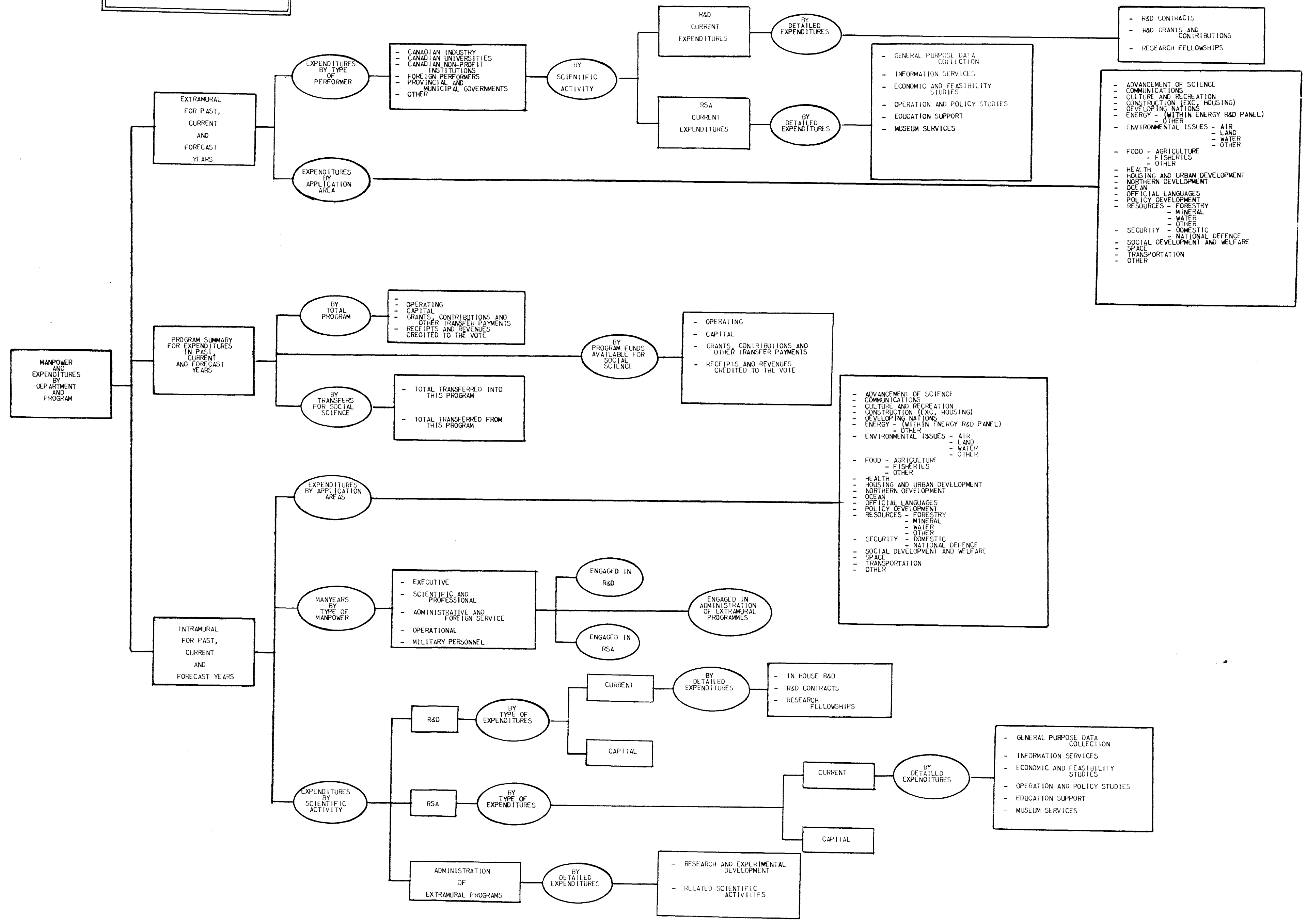
- Other

N.B. Access restricted due to confidential nature of data. Clearance from P.R.A. Division required.

TYPICAL USES OF DATA

To provide visibility on R&D and the amount of funds budgeted for in Human Sciences for the past, current and forecast years.

FEDERAL EXPENDITURES ON ACTIVITIES IN THE HUMAN SCIENCES - AT PROGRAM FORECAST



RESEARCH ACTIVITIES IN THE
FEDERAL BUREAU OF INVESTIGATION



MINS. ET. DE TRAI
MINSIDE DIVI
MAR 30 1982
LIBRARY
SCIENCE ET TECHNOLOGIE
31535

RESEARCH ACTIVITIES IN THE
FEDERAL BUREAU OF INVESTIGATION

DATA BANK NAME

Inventory of Federal Northern Science Projects (1975/76)

ORGANIZATION RESPONSIBLE FOR

MOSST - Government Branch

DIRECT ENQUIRIES TO

Mr. Colin Macpherson

DATA BANK CHARACTERISTICS

(1) General Description

Refer to Annex 'A'

(2) Nature of Source Data

Inventory
Management Information
Statistics

X

(3) Data Source(s) and form of Access

Forty government departments and agencies and two territorial governments were contacted to supply the Ministry with information regarding their Northern Science Projects. Also, Canada Council, National Research Council and Medical Research Council provided information on grants awarded for Scientific studies in the North.

(4) Frequency of Update

Undetermined

(5) Size of Series Maintained

1970/71, 1975/76 Fiscal Years

(6) Mode of Storage

Manual
EDP
Other

X

(7) Access Capabilities

EDP - Report Generation
- Other (Alphatext Only)
OTHER - Publications
- Other

X

TYPICAL USES OF DATA

To be used as a resource document by all Federal Agencies and by Indian Affairs and Northern Development for their review of the government's objectives and priorities for the North.

Also, provides the Committee on S&T (of the Advisory Committee on Northern Development) with the necessary background information to review the government's S&T activities.

FEDERAL NORTHERN SCIENCE PROJECTS 1975-1976

- 01 * Department or Agency
- 02 Program or Branch
- 03 Name or short description of this N.S.P.
- 04 List briefly the scientific objectives of this N.S.P., and describe the way in which these objectives relate to, or support, departmental programs or tasks in and for the north.
- 05 Science - Field(s) Discipline(s)
- 06 01 Location - area or region being studied
02 Location - where study is being carried out
- 07 01 Sponsor(s) of this N.S.P. (if other than your Department)
02 Financial support from sponsor(s) to your Department
03 Any other support from sponsor(s)
- 08 Starting date of N.S.P. Completion date of N.S.P.
- 09 Dollar Costs in 1975-76
- 01 Salaries and wages
02 Capital
03 Other costs
04 Total cost
- Manpower
- 05 Scientific man-months - Government
06 Other man-months - Government
07 Total man-months - Government
08 Scientific man-months - Non-Government
09 Other man-months - Non-Government
10 Total man-months - Non-Government
- 10 Contracts (01), Grants (02), Transfers (03)
- 11 International component of N.S.P.
- 12 Local involvement in N.S.P.
- 13 Reports, data and publications
- 14 Other comments
- 15 Enquiries to be directed to:

* Location of project number

DATA BANK NAME

Inventory of Federal Government Scientific
Activities In Transportation, 1975

ORGANIZATION RESPONSIBLE
FOR

MOSST - Government Branch

DIRECT ENQUIRIES TO

Dr. Keen

DATA BANK CHARACTERISTICS

(1) General Description Inventory of projects containing the name of projects, objectives, brief description, aggregate man-years and operating costs on a fiscal year basis, starting and completion dates, status of project and contract numbers (if extramural)

(2) Nature of Source Data Inventory
Management Information
Statistics

(3) Data Source(s) and Form of Access Survey Forms

(4) Frequency of Update Undetermined

(5) Size of Series Maintained 1975 Only

(6) Mode of Storage Manual
EDP
Other

Approximately 2/3 of the information
is on tape, here at MOSST.

(7) Access Capabilities EDP - Report Generation
- Other
Other - Publications
- Other

TYPICAL USES OF DATA

General reference - for identifying Scientific
Activities in the Federal
Government having a bearing
on the field of transportation.

DATA BANK NAME Inventory of Energy Research and Development
Supported By the Government of Canada

ORGANIZATION RESPONSIBLE FOR Energy, Mines & Resources

DIRECT ENQUIRIES TO Mr. John Legg

DATA BANK CHARACTERISTICS

(1)	General Description	Inventory of projects, containing the name of projects, their objectives, work program and reference to the sub-program Director and the performing Department for every sub-program within program and task structure.		
(2)	Nature of Source Data	Inventory	<input checked="" type="checkbox"/>	
		Management Information	<input checked="" type="checkbox"/>	
		Statistics	<input type="checkbox"/>	
(3)	Data Source(s) and Form of Access	Objective, work program and reference to the sub-program Director and the performing Department for every sub-program within program and task structure.		
(4)	Frequency of Update	Yearly		
(5)	Size of Series Maintained	1976/77 Fiscal Year Only		
(6)	Mode of Storage	Manual	<input checked="" type="checkbox"/>	
		EDP	<input type="checkbox"/>	
		Other	<input type="checkbox"/>	
(7)	Access Capabilities	EDP - Report Generation	<input type="checkbox"/>	
		- Other	<input type="checkbox"/>	
		Other - Publications (Report ER 77-3)	<input checked="" type="checkbox"/>	
		- Other	<input type="checkbox"/>	

TYPICAL USES OF DATA In providing brief descriptions of the work and names of scientists and managers involved, this document is designed to inform those who are interested or engaged in energy R&D and related fields.

DATA BANK NAME	Regional Database of Federal Scientific Expenditures
----------------	--

ORGANIZATION RESPONSIBLE FOR	MOSST- Government Branch
------------------------------	--------------------------

DIRECT ENQUIRIES TO	Mr. Jack Gammon
---------------------	-----------------

DATA BANK CHARACTERISTICS

- | | | |
|---------------------------------------|---|-------------------------------------|
| (1) General Description | Refer to Schematic | |
| (2) Nature of Source Data | Inventory | <input type="checkbox"/> |
| | Management Information | <input checked="" type="checkbox"/> |
| | Statistics | <input checked="" type="checkbox"/> |
| (3) Data Source(s) and Form of Access | Operates on details of individual expenditures reported to Statistics Canada by the departments on Appendices to their Science Addenda. | |
| (4) Frequency of Update | Yearly Data is collected around May or June-updating is carried out after that | |
| (5) Size of Series Maintained | 1976/77 | |
| (6) Mode of Storage | Manual | <input type="checkbox"/> |
| | EDP | <input checked="" type="checkbox"/> |
| | Other | <input type="checkbox"/> |
| (7) Access Capabilities | EDP - Report Generation | <input checked="" type="checkbox"/> |
| | - Other | <input type="checkbox"/> |
| | Other - Publications | <input type="checkbox"/> |
| | - Other | <input type="checkbox"/> |

TYPICAL USES OF DATA

Required for Government decentralization studies and for Regional estimates of total Science Expenditures. This information will serve as an updated inventory base facilitating future surveys to be carried out as required for detailed studies or projects.

- To assist in editing and estimating during these surveys
- To establish mailing lists for surveys of the other sectors
- To provide some of the information required for the evaluation of the Make-Or-Buy Policy.

REGIONAL DATA BASE OF
FEDERAL SCIENCE EXPENDITURES
(NATURAL & HUMAN SCIENCES)

REGIONAL DATA
BASE OF FEDERAL
SCIENCE
EXPENDITURES

BY
DEPARTMENT
& PROGRAM
(IF APPLICABLE)

BY INTRAMURAL
SCIENTIFIC
ESTABLISHMENTS
CARRYING OUT
ACTIVITIES IN
NATURAL
SCIENCES

- NAME OF ESTABLISHMENTS
- ADDRESS
- TYPE OF DATA
THAT IS READILY
AVAILABLE

BY
EXTRAMURAL
SECTORS

- CANADIAN INDUSTRY
- CANADIAN UNIVERSITIES
- CANADIAN NON-PROFIT
INSTITUTIONS
- FOREIGN PERFORMERS
- OTHER PERFORMERS

BY
PERFORMING
INSTITUTION

- NAME OF INSTITUTION
- ADDRESS

BY
PAYMENT

(INDIVIDUAL
AMOUNTS)

BY
TYPE OF
SCIENCE

- NATURAL
- HUMAN

BY
TYPE OF
PAYMENT

- GRANT
- CONTRACT

BY
TYPE OF
ACTIVITY

- R&D
- RSA

DATA BANK NAME

Provincial Government Activities In The
Natural Sciences

ORGANIZATION RESPONSIBLE FOR

Science Statistics Centre

DIRECT ENQUIRIES TO

Mr. Bert Plaus

DATA BANK CHARACTERISTICS

(1) General Description

Refer to Schematic

(2) Nature of Source

Inventory

Management Information

Statistics

(3) Data Source(s) and Form of Access

Individual provinces involved

(4) Frequency of Update

Some provinces done annually. Usually begins around June, after the fiscal year and after financial reports are completed. (report usually available in the fall.)

(5) Size of Series Maintained

Ontario - started in 1974
Alberta - started in 1974
Saskatchewan - 1975
British Columbia - 1976

(6) Mode of Storage

Manual

EDP

Other

(7) Access Capabilities

EDP - Report Generation

- Other

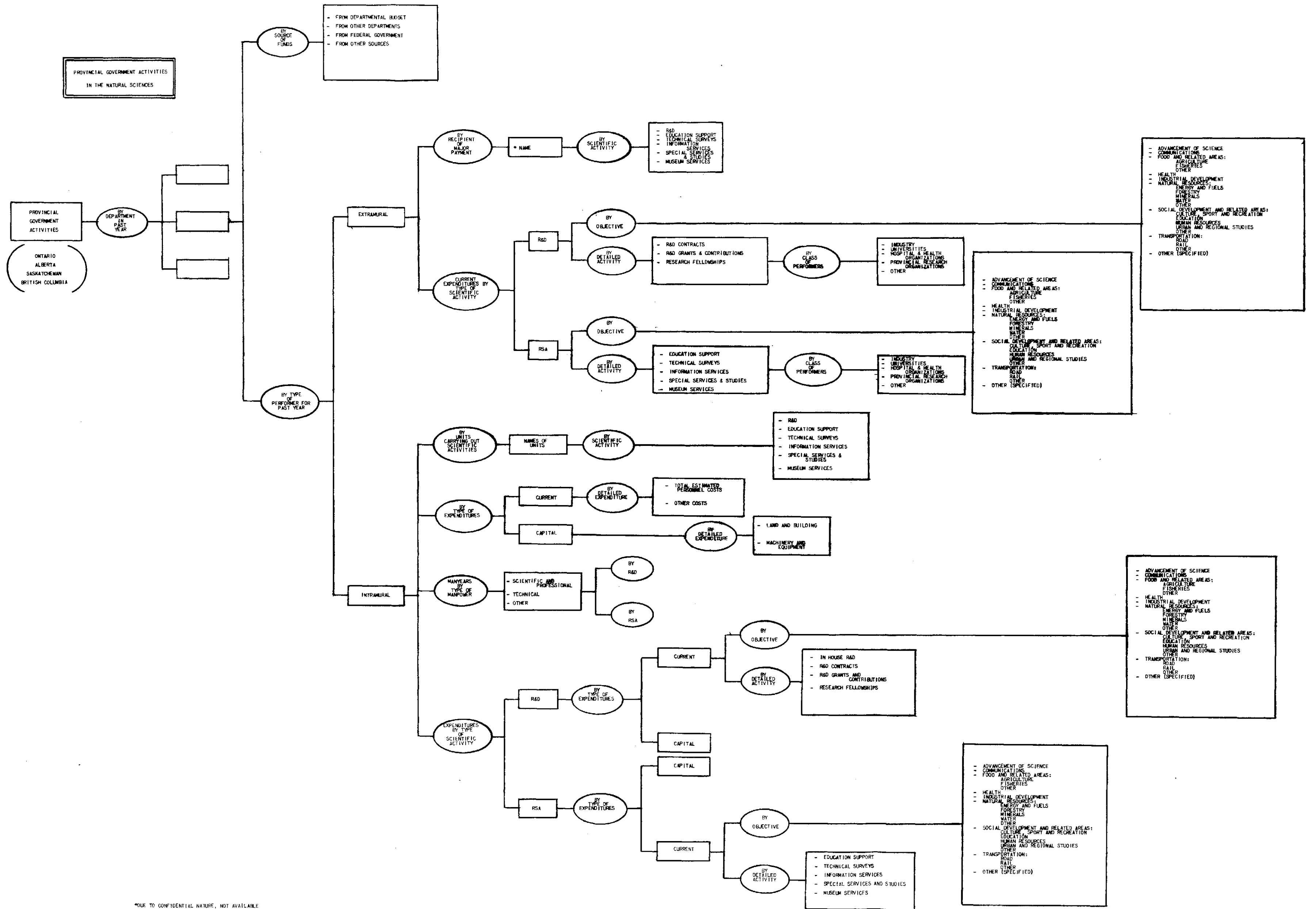
Other - Publications

(The published reports are sent back to the individual provinces for release.)

- Other

TYPICAL USES OF DATA

Data collected provides useful information for the development and analysis of provincial science policy. These statistics are also included with data collected from other sectors to provide national aggregates published by Statistics Canada.



*DUE TO CONFIDENTIAL NATURE, NOT AVAILABLE

DATA BANK NAME

Provincial Government Activities In The
Social Sciences and Humanities

ORGANIZATION RESPONSIBLE FOR

Science Statistics Centre

DIRECT ENQUIRIES TO

Mr. Bert Plaus

DATA BANK CHARACTERISTICS

(1) General Description

Performers of scientific activities; (R&D/RSA) - Total expenditures; sources of funds; objectives of expenditures on scientific activities; departments carrying out scientific activities; internal expenditures; departmental manpower; major payments for scientific activities; includes only scientific activities in the social sciences and humanities.

(2) Nature of Data

Inventory

Management Information

Statistics

(3) Data Source(s) and Form of Access

Survey of Provincial Departments

(4) Frequency of Update

Some provinces done annually. Usually begins around June, after the fiscal year and after financial reports are completed. (report usually available in the fall.)

(5) Size of Series Maintained

Ontario - started in 1974

Alberta - started in 1974

Saskatchewan - 1975

British Columbia - 1976

(6) Mode of Storage

Manual

EDP

Other

(7) Access Capabilities

EDP - Report Generation

- Other

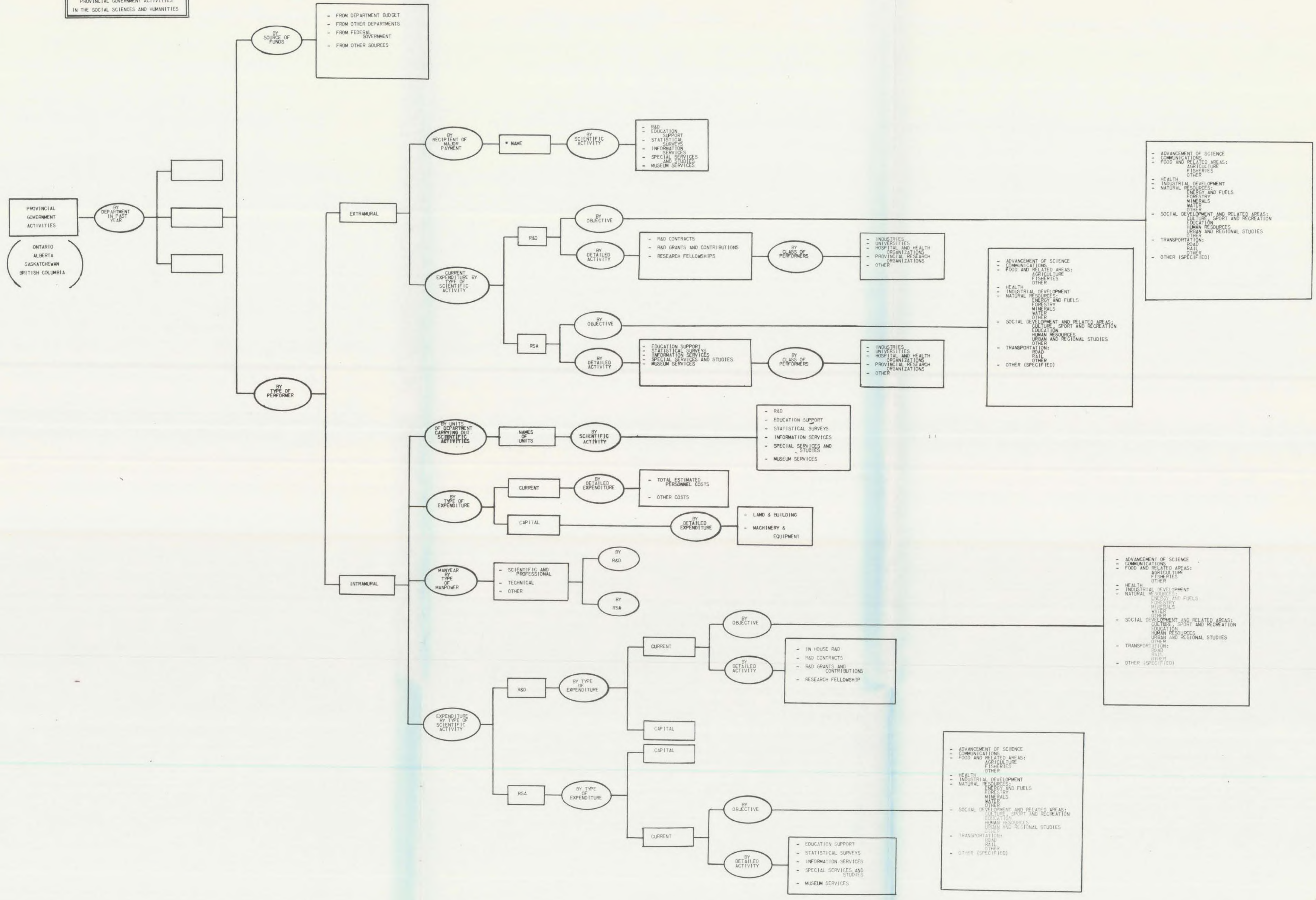
Other - Publications
(The published reports are sent back to the individual provinces for release.)

- Other

TYPICAL USES OF DATA

Data collected provides useful information for the development and analysis of provincial science policy. These statistics are also included with data collected from other sectors to provide national aggregates published by Statistics Canada.

PROVINCIAL GOVERNMENT ACTIVITIES
IN THE SOCIAL SCIENCES AND HUMANITIES



DATA BANK NAME

Provincial Research Organizations

ORGANIZATION RESPONSIBLE
FOR

Science Statistics Centre

DIRECT ENQUIRIES TO

Mr. Brian Pender

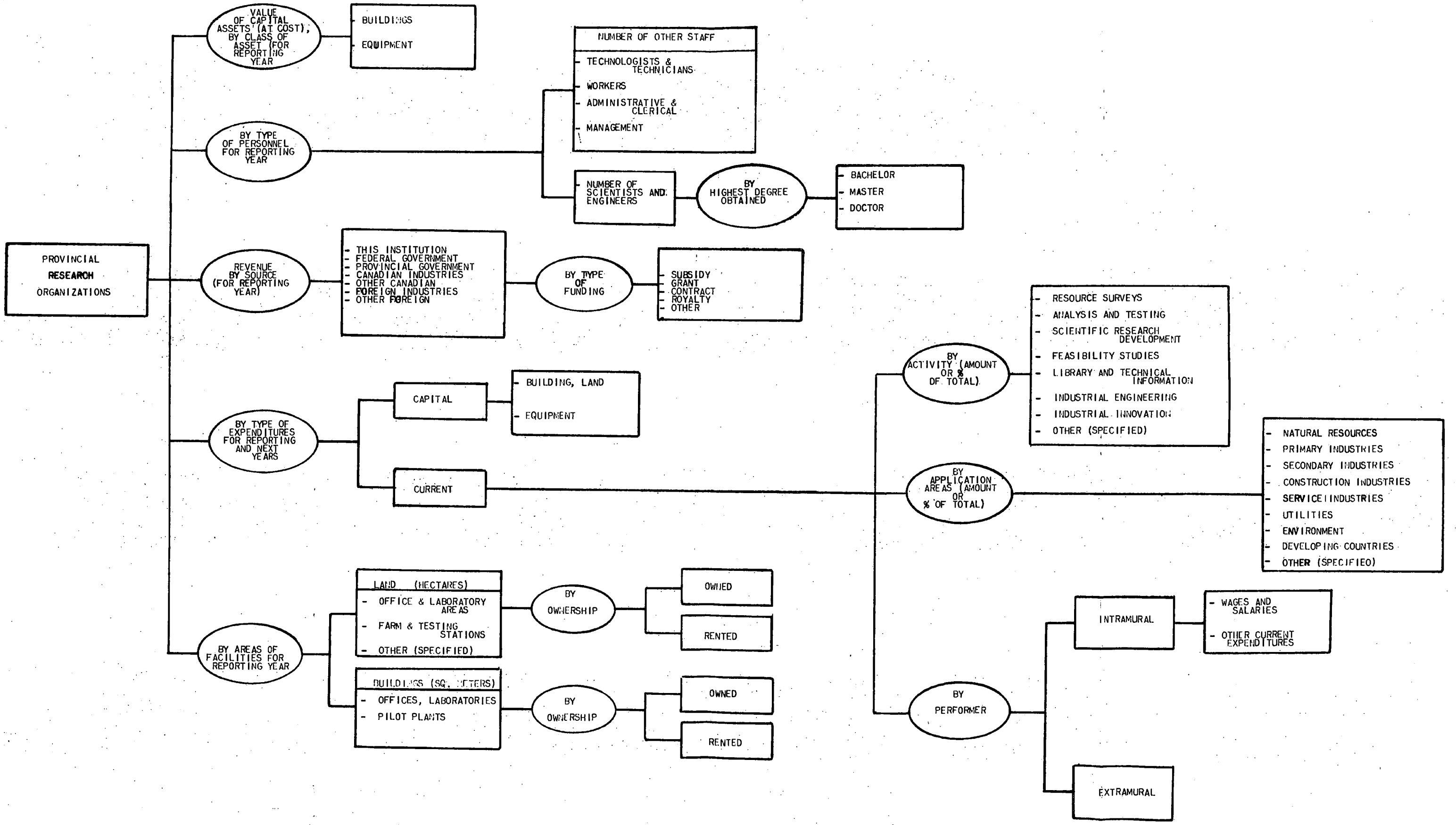
DATA BANK CHARACTERISTICS

- | | | | |
|-----|-----------------------------------|---|-------------------------------------|
| (1) | General Description | Refer to Schematic | |
| (2) | Nature of Source Data | Inventory | <input type="checkbox"/> |
| | | Management Information | <input type="checkbox"/> |
| | | Statistics | <input checked="" type="checkbox"/> |
| (3) | Data Source(s) and Form of Access | Statistics Canada Survey Form No. 4-2231-11-1 (English)
4-2231-11-2 (French) | |
| (4) | Frequency of Update | Yearly | |
| (5) | Size of Series Maintained | Since 1963 | |
| (6) | Mode of Storage | Manual | <input checked="" type="checkbox"/> |
| | | EOP | <input type="checkbox"/> |
| | | Other | <input type="checkbox"/> |
| (7) | Access Capabilities | EOP - Report Generation | <input type="checkbox"/> |
| | | - Other | <input type="checkbox"/> |
| | | Other - Publications
[Annual statistical reports (Report 13-209)] | <input checked="" type="checkbox"/> |
| | | - Other | <input type="checkbox"/> |

TYPICAL USES OF DATA

General Reference

PROVINCIAL RESEARCH ORGANIZATION



DATA BANK NAME

1971 Census - Occupation By Age and Sex

ORGANIZATION RESPONSIBLE
FOR

MOSST - University Branch

DIRECT ENQUIRIES TO

Mr. Bob Patterson

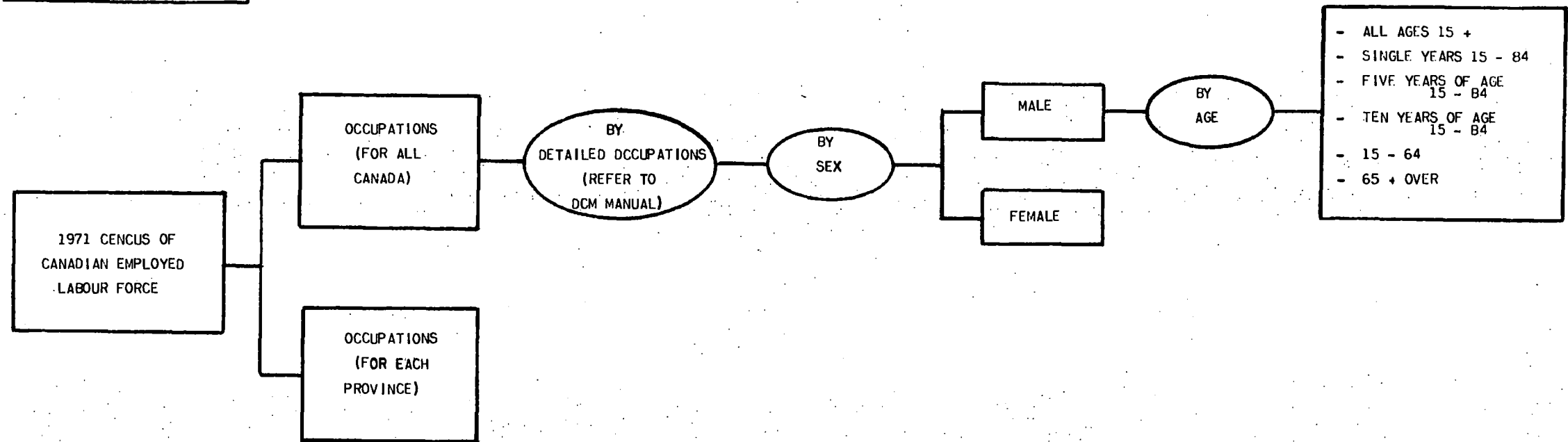
DATA BANK CHARACTERISTICS

- | | | | |
|-----|-----------------------------------|---|-------------------------------------|
| (1) | General Description | Detailed description of occupation by age and sex | |
| (2) | Nature of Source Data | Inventory | <input type="checkbox"/> |
| | | Management Information | <input type="checkbox"/> |
| | | Statistics | <input checked="" type="checkbox"/> |
| (3) | Data Source(s) and Form of Access | 1971 Census Questionnaire | |
| (4) | Frequency of Update | One Time Survey | |
| (5) | Size of Series Maintained | | |
| (6) | Mode of Storage | Manual | <input type="checkbox"/> |
| | | EDP | <input checked="" type="checkbox"/> |
| | | Other | <input type="checkbox"/> |
| (7) | Access Capabilities | EDP - Report Generation | <input type="checkbox"/> |
| | | - Other Fixed format tape | <input type="checkbox"/> |
| | | Other - Publications | <input type="checkbox"/> |
| | | - Other | <input type="checkbox"/> |

TYPICAL USES OF DATA

Required for the HQM Demand Model at MOSST

OCCUPATION BY SEX AND AGE



DATA BANK NAME

1971 Census - Occupation By Industry & Occupation

ORGANIZATION RESPONSIBLE
FOR

MOSST & University Branch

DIRECT ENQUIRIES TO

Mr. Bob Patterson

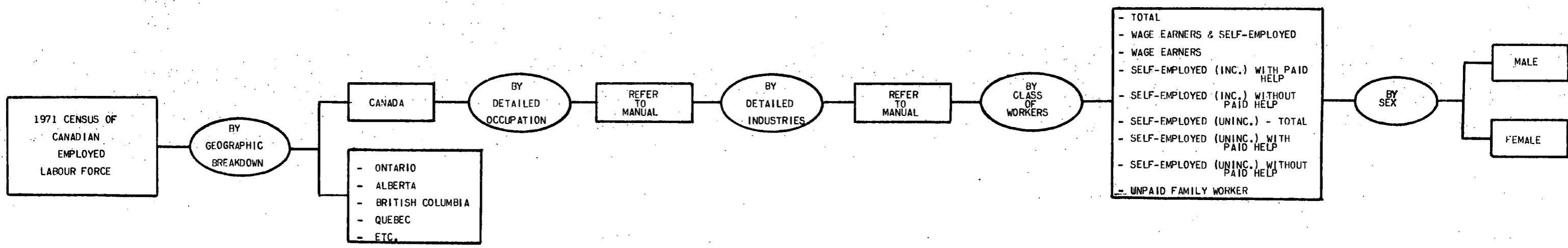
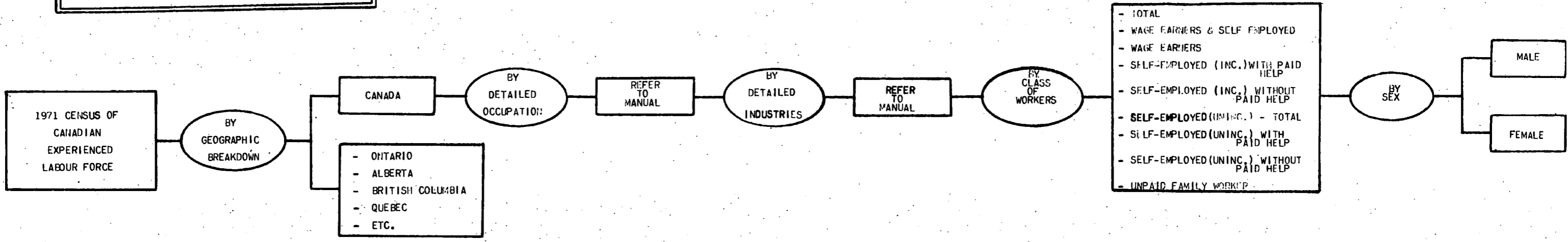
DATA BANK CHARACTERISTICS

- | | | | |
|-----|-----------------------------------|--|-------------------------------------|
| (1) | General Description | A detailed description of the Canadian and Provincial labour population, those experienced and those employed, broken down by class of workers/detailed industries/detailed occupations/for the experienced and employed labour force. | |
| (2) | Nature of Source Data | Inventory | <input type="checkbox"/> |
| | | Management Information | <input type="checkbox"/> |
| | | Statistics | <input checked="" type="checkbox"/> |
| (3) | Data Source(s) and Form of Access | 1971 Census Questionnaire | |
| (4) | Frequency of Update | One Time Survey | |
| (5) | Size of Series Maintained | 1 Year (1971) | |
| (6) | Mode of Storage | Manual | <input checked="" type="checkbox"/> |
| | | EDP | <input checked="" type="checkbox"/> |
| | | Other | <input type="checkbox"/> |
| (7) | Access Capabilities | EDP - Report Generation | <input type="checkbox"/> |
| | | - Other | <input type="checkbox"/> |
| | | Other - Publications | <input type="checkbox"/> |
| | | - Other | <input type="checkbox"/> |

TYPICAL USES OF DATA

General Reference for analysis. Required for the HQM Demand Model at MOSST.

1971 CENSUS - OCCUPATION BY INDUSTRY & OCCUPATION



NAME OF DATA BANK

Highly Qualified Manpower Survey

ORGANIZATION RESPONSIBLE
FOR

MOSST - University Branch (Forecasting Division)

DIRECT ENQUIRIES TO

Mr. Ron Knowles

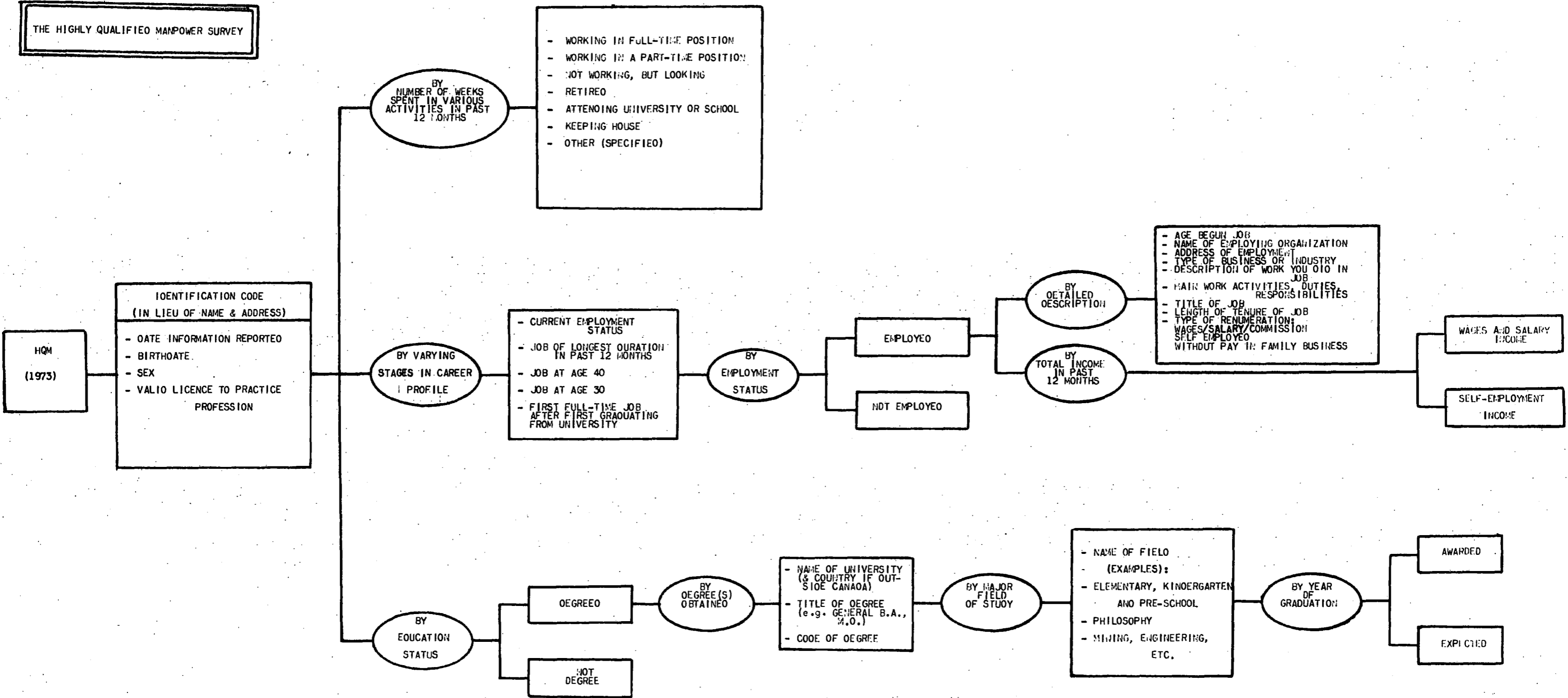
DATA BANK CHARACTERISTICS

- | | | |
|-----|-----------------------------------|---|
| (1) | General Description | Information on the stock characteristics of University graduates in Canada in 1971. Information on educational qualifications, work status and career development. |
| (2) | Nature of Source Data | Inventory <input type="checkbox"/>
Management Information <input type="checkbox"/>
Statistics <input checked="" type="checkbox"/> |
| (3) | Data Source(s) and Form of Access | Sample survey based on those who reported a university degree in the 1971 Census. |
| (4) | Frequency of Update | One Time Survey Only |
| (5) | Size of Series Maintained | 1973 Only |
| (6) | Mode of Storage | Manual <input type="checkbox"/>
EDP <input checked="" type="checkbox"/>
Other <input type="checkbox"/> |
| (7) | Access Capabilities | EDP - Report Generation <input checked="" type="checkbox"/>
- Other <input checked="" type="checkbox"/>
(HQM Demand Model
-SPSS)
Other - Publications <input checked="" type="checkbox"/>
(Numerous Government & Non-Government publications
Tabulations)
- Other <input type="checkbox"/> |

TYPICAL USES OF DATA

This survey was conducted in 1973 to obtain information on the stock of university graduates in Canada. Information on educational qualifications and their relationship to occupation and career development is required for formulating future government policy. At MOSST, extracted data relating occupations and educational background is used in the HQM Demand Model.

THE HIGHLY QUALIFIED MANPOWER SURVEY



DATA BANK NAME	University Full Time Teaching Staff
ORGANIZATION RESPONSIBLE FOR	Statistics Canada
DIRECT ENQUIRIES TO	Ms. Louise Desrumeaux - Post-Secondary Education Section Education, Science & Culture Division

DATA BANK CHARACTERISTICS

- | | | | | | | | | | | | | | | | |
|--|---|-------------------------|-------------------------------------|--|-------------------------------------|------------|-------------------------------------|--|--|----------------------|-------------------------------------|---|--|---------|--------------------------|
| (1) General Description | Information on all full-time teaching staff employed in public or private degree-granting institutions. Teaching staff, for the purpose of this survey includes, in general, all academic staff within faculties (colleges, schools, etc.) who are teachers and/or senior administrative staff. | | | | | | | | | | | | | | |
| (2) Nature of Source Data | <table border="0"> <tr> <td>Inventory</td> <td><input checked="" type="checkbox"/></td> </tr> <tr> <td>Management Information</td> <td><input type="checkbox"/></td> </tr> <tr> <td>Statistics</td> <td><input checked="" type="checkbox"/></td> </tr> </table> | Inventory | <input checked="" type="checkbox"/> | Management Information | <input type="checkbox"/> | Statistics | <input checked="" type="checkbox"/> | | | | | | | | |
| Inventory | <input checked="" type="checkbox"/> | | | | | | | | | | | | | | |
| Management Information | <input type="checkbox"/> | | | | | | | | | | | | | | |
| Statistics | <input checked="" type="checkbox"/> | | | | | | | | | | | | | | |
| (3) Data Source(s) and Form of Access | Direct surveys of Universities. (However, in Quebec, the Department of Education conducts the survey and sends the results to Statistics Canada. | | | | | | | | | | | | | | |
| (4) Frequency of Update | Yearly (Updating is conducted in the summer and early fall.) | | | | | | | | | | | | | | |
| (5) Size of Series Maintained | Since 1956 - Updated every other year until the early 60's, annually since. | | | | | | | | | | | | | | |
| (6) Mode of Storage | <table border="0"> <tr> <td>Manual</td> <td><input type="checkbox"/></td> </tr> <tr> <td>EDP</td> <td><input checked="" type="checkbox"/></td> </tr> <tr> <td>Other</td> <td><input type="checkbox"/></td> </tr> </table> | Manual | <input type="checkbox"/> | EDP | <input checked="" type="checkbox"/> | Other | <input type="checkbox"/> | | | | | | | | |
| Manual | <input type="checkbox"/> | | | | | | | | | | | | | | |
| EDP | <input checked="" type="checkbox"/> | | | | | | | | | | | | | | |
| Other | <input type="checkbox"/> | | | | | | | | | | | | | | |
| (7) Access Capabilities | <table border="0"> <tr> <td>EDP - Report Generation</td> <td><input checked="" type="checkbox"/></td> </tr> <tr> <td colspan="2">(The only part of this survey that has been pre-programmed is the faculty salaries. The remaining elements would have to be programmed.)</td> </tr> <tr> <td>- Other</td> <td><input checked="" type="checkbox"/></td> </tr> <tr> <td colspan="2">(Presently working on a General Tabulation System (GTS) which will allow cross tabulation in near future.)</td> </tr> <tr> <td>Other - Publications</td> <td><input checked="" type="checkbox"/></td> </tr> <tr> <td colspan="2">(Annual Publications. They have a salary publication which is released, with the approval of Universities, three times a year.)</td> </tr> <tr> <td>- Other</td> <td><input type="checkbox"/></td> </tr> </table> | EDP - Report Generation | <input checked="" type="checkbox"/> | (The only part of this survey that has been pre-programmed is the faculty salaries. The remaining elements would have to be programmed.) | | - Other | <input checked="" type="checkbox"/> | (Presently working on a General Tabulation System (GTS) which will allow cross tabulation in near future.) | | Other - Publications | <input checked="" type="checkbox"/> | (Annual Publications. They have a salary publication which is released, with the approval of Universities, three times a year.) | | - Other | <input type="checkbox"/> |
| EDP - Report Generation | <input checked="" type="checkbox"/> | | | | | | | | | | | | | | |
| (The only part of this survey that has been pre-programmed is the faculty salaries. The remaining elements would have to be programmed.) | | | | | | | | | | | | | | | |
| - Other | <input checked="" type="checkbox"/> | | | | | | | | | | | | | | |
| (Presently working on a General Tabulation System (GTS) which will allow cross tabulation in near future.) | | | | | | | | | | | | | | | |
| Other - Publications | <input checked="" type="checkbox"/> | | | | | | | | | | | | | | |
| (Annual Publications. They have a salary publication which is released, with the approval of Universities, three times a year.) | | | | | | | | | | | | | | | |
| - Other | <input type="checkbox"/> | | | | | | | | | | | | | | |

TYPICAL USES OF DATA

Statistics Canada Data File used extensively in developing policies related to present and future needs of University researchers. For example, Science Council's Conference on Ageing. Without this Data Base University Branch at MOSST would find it difficult to react or plan for the orderly development of S&I manpower.

UNIVERSITY FULL-TIME
TEACHING STAFF SYSTEM

FULL-TIME UNIVERSITY
TEACHING STAFF

- REPORTING INSTITUTIONS
- FACULTY, COLLEGE, INSTITUTE
- DEPARTMENT
- SIZE OF INSTITUTION
- YEAR OF APPOINTMENT TO INSTITUTION
- TYPE OF APPOINTMENT
- MEDICAL OR DENTAL APPOINTMENT CATEGORY
- SEX
- YEAR OF BIRTH
- COUNTRY OF CITIZENSHIP
- IMMIGRATION STATUS
- PERMANENT IDENTIFICATION NUMBER
- YEAR OF FIRST DEGREE
- PROVINCE OR COUNTRY OF FIRST DEGREE
- LEVEL OF HIGHEST EARNED DEGREE
- YEAR OF HIGHEST EARNED DEGREE
- PROVINCE OR COUNTRY OF HIGHEST DEGREE
- RANK, POSITION AND RESPONSIBILITIES
- YEAR OF APPOINTMENT TO PRESENT RANK
- PRINCIPAL SUBJECT TAUGHT
- SALARY AND LEAVE STATUS
- ACTUAL SALARY
- ANNUAL RATE OF SALARY
- NUMBER OF MONTHS EMPLOYED AND ON SABBATICAL LEAVE
DURING CURRENT ACADEMIC YEAR
- PREVIOUS EMPLOYMENT AND PROVINCE OR COUNTRY OF
PREVIOUS EMPLOYMENT
- NEW GROUP SALARY SCALES
- YEAR OF TERMINATION

DATA BANK NAME

University Student Information System

ORGANIZATION RESPONSIBLE FOR

Statistics Canada

DIRECT ENQUIRIES TO

Mr. Wally Watson - Post-Secondary Section
Education, Science & Culture Division

DATA BANK CHARACTERISTICS

(1) General Description

Report on all students registered (and active) for courses which are eligible for academic credit in a degree, diploma or certificate program of a degree-granting institution. Excludes students at diploma schools for nurses affiliated with University teaching hospitals.

(2) Nature of Source Data

Inventory

Management Information

Statistics

(3) Data Source(s) and Form of Access

Reported through the registrars at the Universities.

(4) Frequency of Update

Yearly (approximately every spring)

(5) Size of Series Maintained

Since 1972/73

(6) Mode of Storage

Manual

EDP

Other

(7) Access Capabilities

EDP - Report Generation

(General Extracting System)

Other - Publications,
Fall Enrolment in Universities and
Colleges - Report No. B1204

- Other

(80% of the students are on USIS, the other 20% are in source form, due to the fact that some Universities do not have the facilities to report on magnetic tape.)

TYPICAL USES OF DATA

Cross tabulations of personal and educational characteristics of students provide the basis for educational and social planning. Statistics Canada Data File used extensively in developing policies related to present and future needs of University researchers.

Without this data base it would be difficult for the University Branch at MOSST to comment, react or plan for the orderly development of Science and Technological Manpower.

UNIVERSITY STUDENT
INFORMATION SYSTEM

UNIVERSITY
STUDENT
INFORMATION
SYSTEM

- TYPE OF INSTITUTION
- DATA TYPE
- INSTITUTION
- REPORT DATE
- SESSION
- INSTITUTION'S OWN I.D. OF STUDENT
- SOCIAL INSURANCE NUMBER
- SEX
- DATE OF BIRTH
- MARITAL STATUS
- MOTHER TONGUE
- LEGAL STATUS IN CANADA
- COUNTRY OF CURRENT CITIZENSHIP
- DATE OF ENTRY TO CANADA
- PERMANENT RESIDENCE/COUNTRY
- PERMANENT RESIDENCE/PROVINCE
- COUNTRY OF RESIDENCE
- EDUCATIONAL STATUS OF NEW STUDENTS
- GEOGRAPHIC SOURCE OF NEW STUDENTS/COUNTRY
- GEOGRAPHIC SOURCE OF NEW STUDENTS/PROVINCE
- REGISTRATION STATUS OF THE STUDENT
- QUALIFICATIONS BEING SOUGHT
- BODY AWARING DIPLOMA OR CERTIFICATE
- ALPHABETIC TITLE OF QUALIFICATION
- CODED TITLE OF QUALIFICATION
- HONOURS PROGRAMME INDICATOR
- SPECIALIZATION OR MAJOR FIELD OF STUDY
- JOINT SPECIALIZATION
- TYPE OF SESSION
- DURATION OF THE PROGRAMME/SESSIONS
- CURRENT STAGE OF STUDY
- UNITS INCLUDED IN THE ENTIRE PROGRAMME
- UNITS FOR WHICH THE STUDENT IS CURRENTLY REGISTERED
- UNITS COMPLETED PRIOR TO ACTUAL SESSION
- EXPECTED YEAR OF GRADUATION
- IS A THESIS REQUIRED OF GRADUATE STUDENTS

DATA BANK NAME Research & Development & Other Activities of Canadian Private Non-Profit Organizations

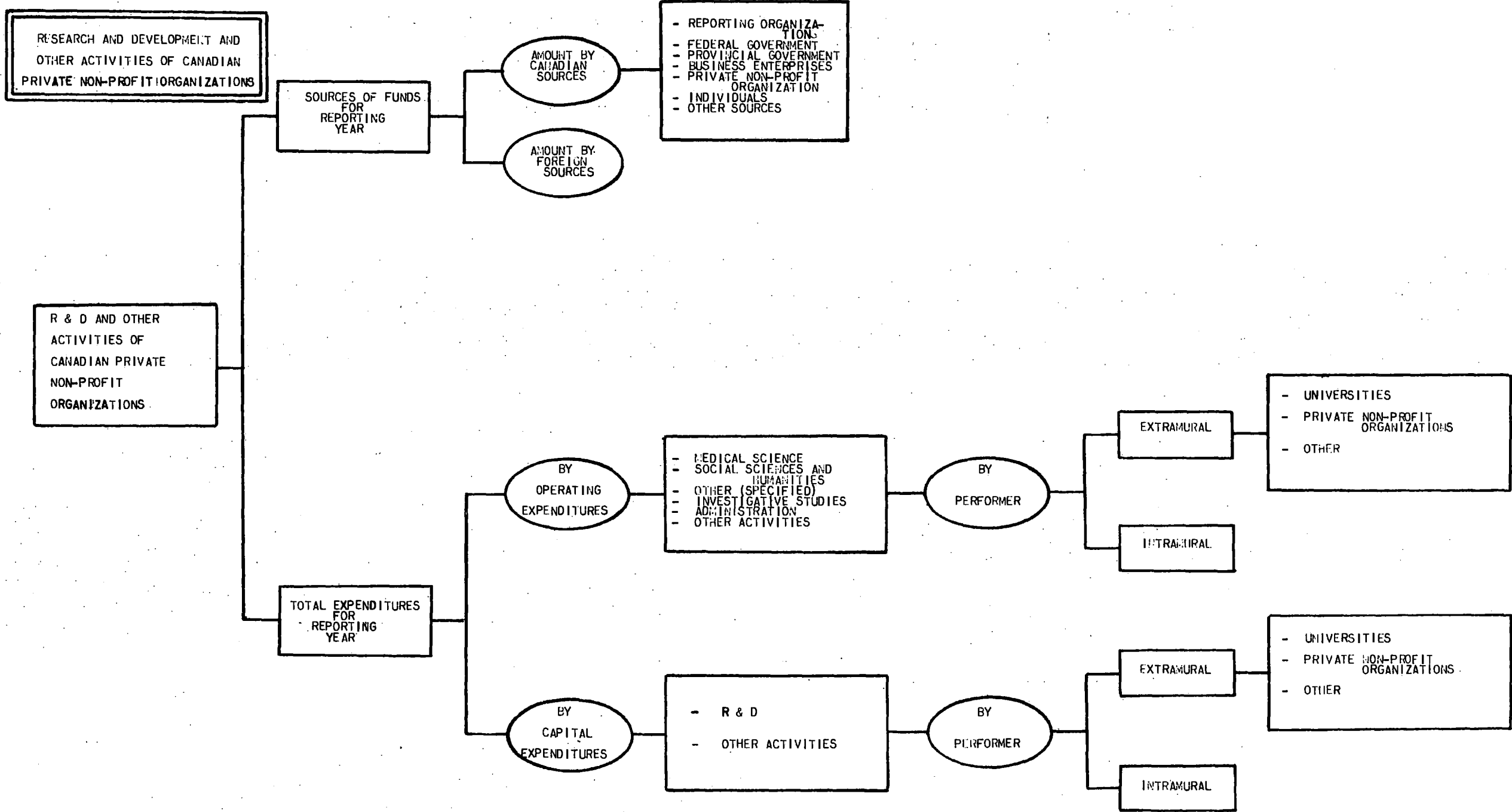
ORGANIZATION RESPONSIBLE FOR Science Statistics Centre

DIRECT ENQUIRIES TO Mr. Mickey Robinson
Ms. Eleanor Bouliane
Mr. Tom Chafe

DATA BANK CHARACTERISTICS

- (1) General Description Sources of funds, types of expenditures, activities and extramural payments.
- (2) Nature of Source Data
 - Inventory
 - Management Information
 - Statistics
- (3) Data Source(s) and Form of Access Statistics Canada Survey Form No. 4-2231-1.1 (English)
4-2231-1.2 (French)
- (4) Frequency of Update Bi-Annually
- (5) Size of Series Maintained 1965, then survey was not carried out again until 1973. However, now performed bi-annually.
- (6) Mode of Storage
 - Manual
 - EDP
 - Other
- (7) Access Capabilities
 - EDP - Report Generation
 - Other
 - Other - Publications
[Statistical Reports (e.g. Report No. 13-404)]
 - Other

TYPICAL USES OF DATA General Reference



DATA BANK NAME

Research and Development in Canadian Industry

ORGANIZATION RESPONSIBLE
FOR

Statistics Canada -
Science Statistics Centre

DIRECT ENQUIRIES TO

Ms. Eleanor Bouliane

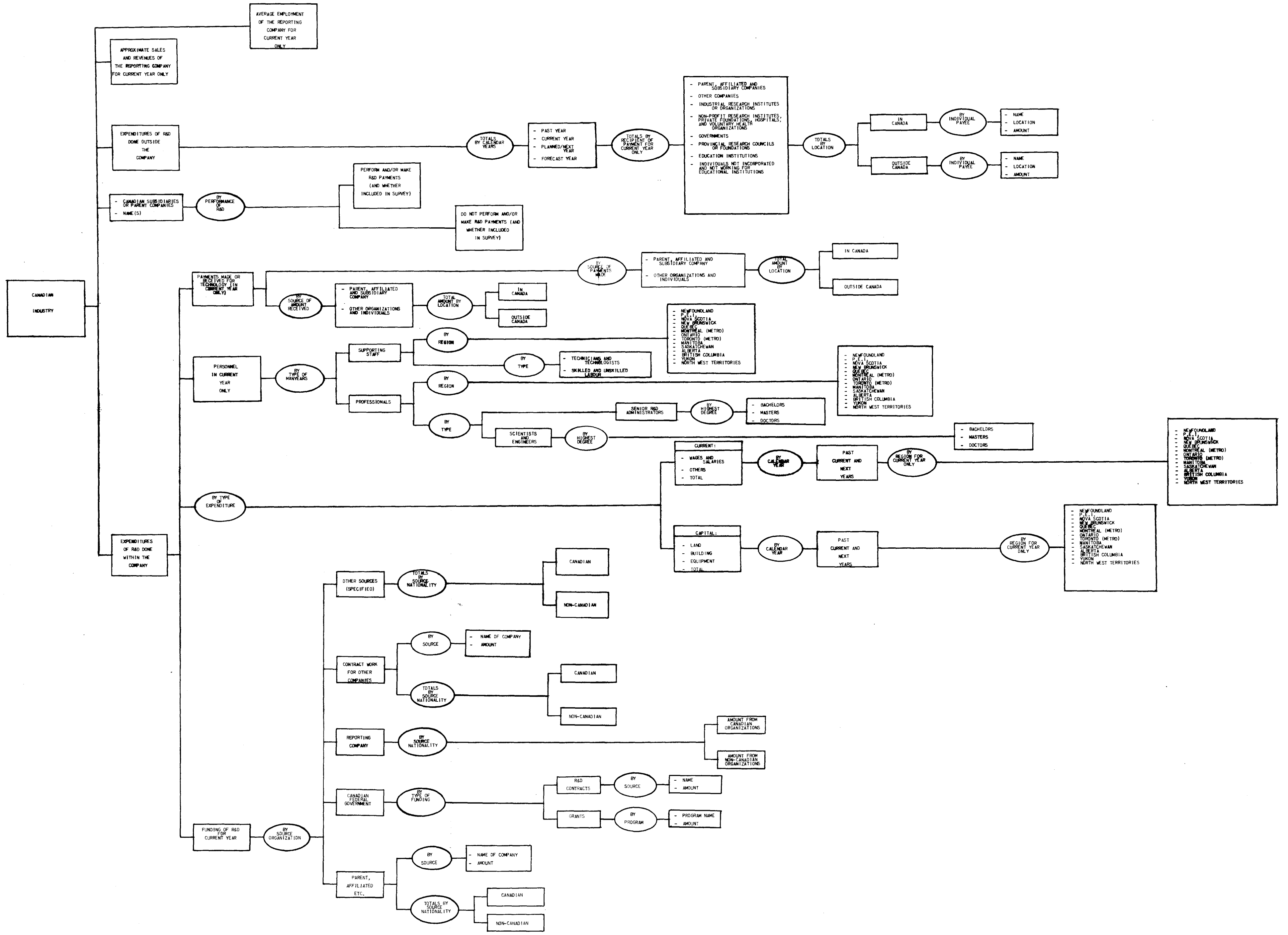
DATA BANK CHARACTERISTICS

- (1) General Description Refer to schematic
- (2) Nature of Source Data
 - Inventory
 - Management Information
 - Statistics
- (3) Data Source(s) and form of Access
 - Statistics Canada Survey Form No. 4-2231-7.1 (English)
4-2231-7.2 (French)
- (4) Frequency of Update
 - Yearly (However, every even year it is only a samplly survey.)
- (5) Size of Series Maintained
 - Since 1955
- (6) Mode of Storage
 - Manual (Tables, Listings & Questionnaires)
 - EDP
 - Other
- (7) Access Capabilities
 - EDP - Report Generation
 - Other
 - Other - Publications
 Statistical Reports (13-203); Also, they to publish a statistical report (booklet form) annually, now Service Bulletins are published approximately 10 - 12 times annually. 1974-76 were the last years statistical reports were published.
 - Other

TYPICAL USES OF DATA

To determine the amount of R&D being carried out in Canadian Industry.

RESEARCH AND DEVELOPMENT
IN CANADIAN INDUSTRY



DATA BANK NAME

Directory of Scientific & Technological Capabilities
In Canadian Industry, 1977

ORGANIZATION RESPONSIBLE FOR

MOSST - Research Information Service (RIS)

DIRECT ENQUIRIES TO

Dr. Richard Gullormson

DATA BANK CHARACTERISTICS

(1) General Description

An inventory of Canadian Scientific & Technological Capabilities, indicating specifically their scientific and technological capabilities; together with information of a reference nature.
Delineating 2 types of Scientific & Technological Groups: Separate Scientific & Technological groups, and Scientific & Technological groups which are a part of the company's production process. The survey has been broadened to include all companies that carry out S&T activities as of 1977. (Inclusive of R&D activities)

(2) Nature of Source Data

Inventory
Management Information
Statistics

(3) Data Source(s) and Form of Access

Survey of private sector industries and organizations

(4) Frequency of Update

Planned Yearly

(5) Size of Series Maintained

1969, 1973

(6) Mode of Storage

Manual
EDP
Other

(7) Access Capabilities

EDP - Report Generation
- Other
Other - Publication of Index
- Other

TYPICAL USES OF DATA

The information solicited by the questionnaire is for publication in a new Directory of Scientific and Technological capabilities in Canadian Industry. This directory will provide information to other governments, other sectors of Canadian Industry, Canadian government agencies and others who are tendering contracts or seeking goods & services in a particular field. The directory could also be available to foreign companies to facilitate international business.

SCIENTIFIC AND TECHNOLOGICAL CAPABILITIES
IN CANADIAN INDUSTRY -- 1977

